

4

3

2

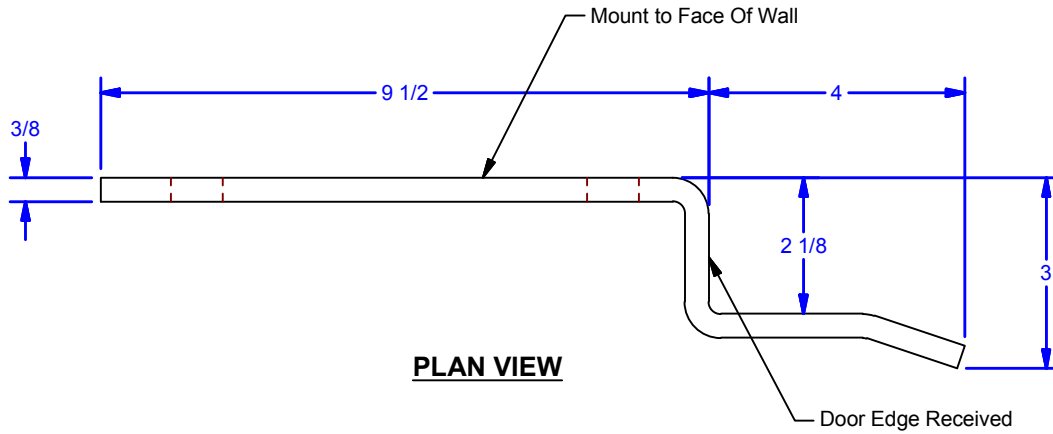
1

D

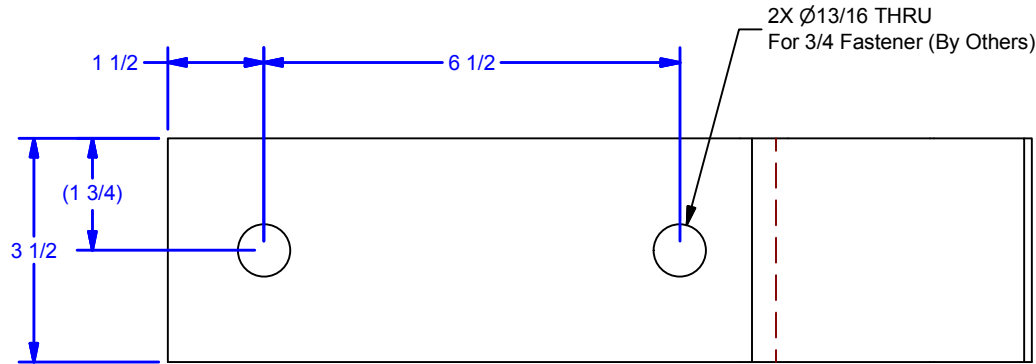
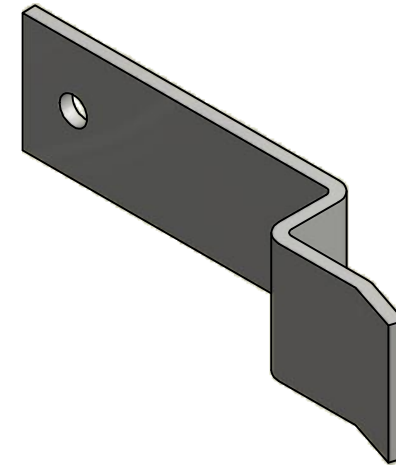
D

C

C



PLAN VIEW



ELEVATION VIEW

Available Finishes:

- 0102.00033: Powder Coat Pebble Tan
- 0102.00033SC: Powder Coat Black
- 0102.00033ZC: Clear Zinc Plated
- 0102.00033SS: 304 Stainless Steel w/ 2B Mill Finish
- 0102.00033S-US32D: 304 Stainless Steel w/ #4 Brushed Finish

DWG #: 0001899
 DRAWN:BCM 2/20/2015
 SHEET #1
 File: 0001899.idw

ALL DIMENSIONS IN INCHES

THE INFORMATION CONTAINED IN THIS DRAWING IS THE SOLE PROPERTY OF CROWN INDUSTRIAL. ANY REPRODUCTION IN PART OR AS A WHOLE WITHOUT THE WRITTEN PERMISSION OF CROWN INDUSTRIAL IS PROHIBITED.	ID #:	0001900	STOCK PART #:	0102.00033
	MATERIAL:	Steel, Mild		
DESCRIPTION: 102 Heavy Duty Wall Binder, 1-3/4" Thick Door				
FINISH:	# PCS:	REV:		



CROWN INDUSTRIAL

So. San Francisco, Ca
 (650) 952-5150

www.crown-industrial.com

4

3

2

1

A

A

▽

4

3

2

1

D

D

C

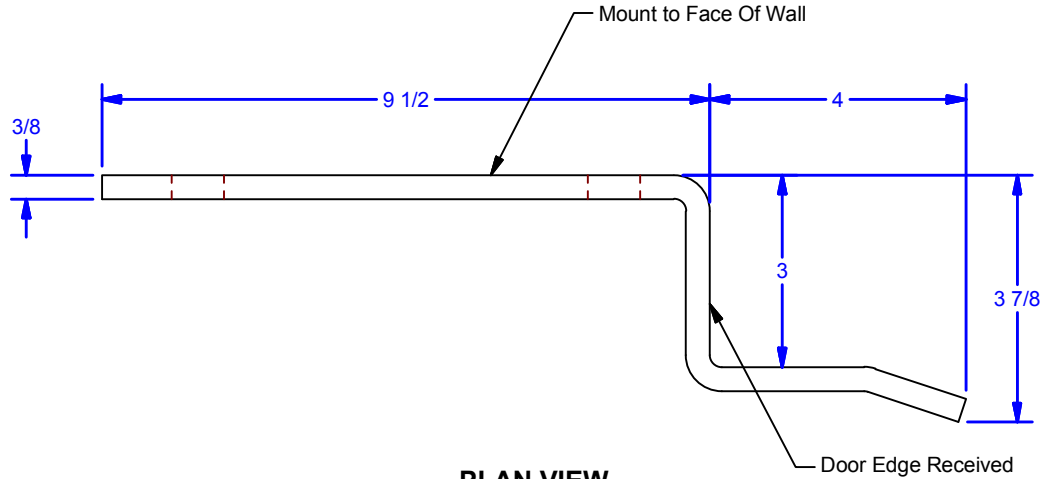
C

B

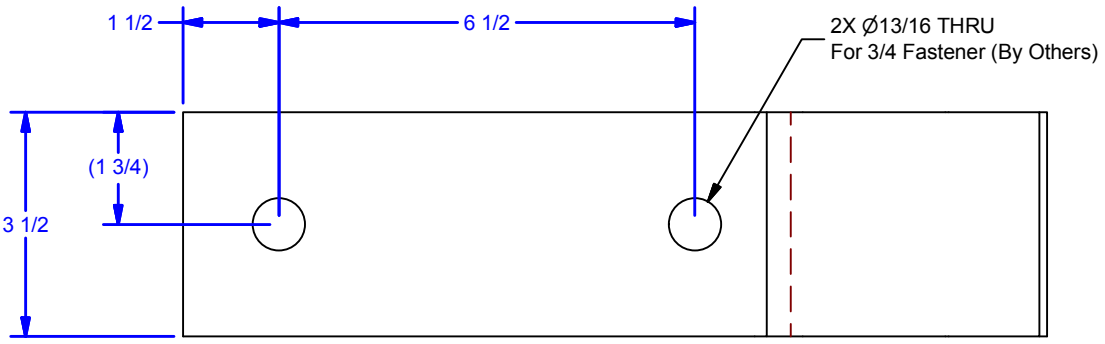
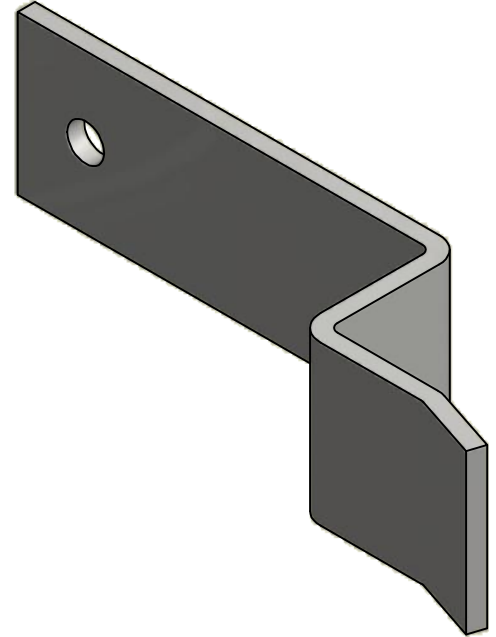
B

A

A



PLAN VIEW



ELEVATION VIEW

- Available Finishes:**
- 0102.00034: Powder Coat Pebble Tan
 - 0102.00034SC: Powder Coat Black
 - 0102.00034ZC: Clear Zinc Plated
 - 0102.00034SS: 304 Stainless Steel w/ 2B Mill Finish
 - 0102.00034S-US32D: 304 Stainless Steel w/ #4 Brushed Finish

DWG #: 0001899
 DRAWN:BCM 2/20/2015
 SHEET #2
 File: 0001899.idw

ALL DIMENSIONS IN INCHES

THE INFORMATION CONTAINED IN THIS DRAWING IS THE SOLE PROPERTY OF CROWN INDUSTRIAL. ANY REPRODUCTION IN PART OR AS A WHOLE WITHOUT THE WRITTEN PERMISSION OF CROWN INDUSTRIAL IS PROHIBITED.	ID #:	0001901	STOCK PART #:	0102.00034
	MATERIAL:		Steel, Mild	
DESCRIPTION: 102 Heavy Duty Wall Binder, 2-1/2" Thick Door				
FINISH:			# PCS:	REV:



CROWN INDUSTRIAL
 So. San Francisco, Ca
 (650) 952-5150
 www.crown-industrial.com

4

3

2

1

